

OC-3/STM-1 Digital Receiver Module



Model # 2803A

The 2803A Digital Receiver module is designed for use in transmission systems of medium to high speed data communication applications. The receiver operates at the SONET OC-3 or STM-1 (155 Mb/s) data rate.

The receiver module is designed as a receiver assembly with a GaAs preamplifier and a silicon bipolar comparator to output digital logic levels (ECL or PECL). High sensitivity InGaAs/InP PIN photodiodes are used for 1300 nm and 1550 nm operation. The receiver module meets ITU-T G.957 and G.958 recommendations.

Characteristics	Min	Typ	Max	Units
Data Rate	5	155	200	Mb/s
Receiver Sensitivity	-35	-38	-	dBm
Maximum Input	-3	0	-	dBm
Decreasing Light Input	-45	-	-	dBm
Increasing Light Input			-35	dBm
Signal Detect Hysteresis	0.5	1.5	-	dBm
Wavelength	1100	1310	1600	nm

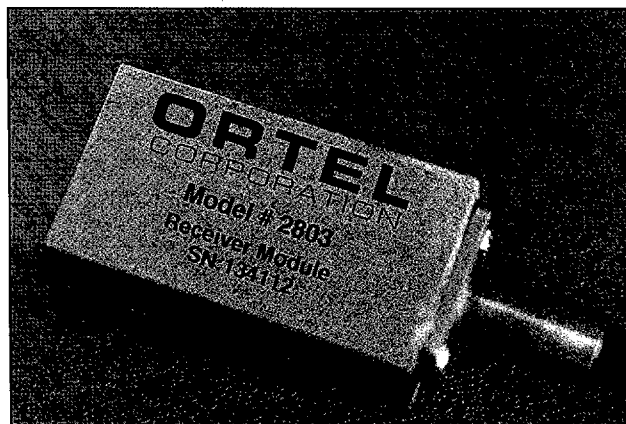
DATA SHEET

Features:

- Signal Detect Status (ECL or PECL)
- Complies with SONET OC-3 and STM-1 Standard
- Internal AGC Circuit
- ECL or PECL Logic Signal Interface
- Excellent Reliability
- 20 pin-DIP Metal Package

Applications:

- Data Receiver between 5 Mb/s and 200 Mb/s



6817895 0000878 T78



6817895 0000879 904

OC-3/STM-1 Digital Receiver Module

Electrical Characteristics	Sym	Min	Typ	Max	Units
Supply Voltage	V _{CC}	4.75	5.0	5.5	V
	V _{PD}	-10.0	-5.0	-2.0	V
Supply Current	I _{CC}	-	85	120	mA
Output High Voltage	V _{OH}	V _{CC} - 1.06	-	V _{CC} - 0.85	V
Output Low Voltage	V _{OL}	V _{CC} - 1.86	-	V _{CC} - 1.59	V

Note: Case must be connected to circuit ground (0V).

Absolute Maximum Ratings	Min	Max	Units
Operating Temperature	-40	+85	°C
Storage Temperature	-40	+85	°C
Operating & Storage Humidity	-	85	%
Supply Voltage	0	6	V
Input Voltage	V _{EE}	V _{CC}	V
Lead Soldering	-	240 °C, 10 sec	-

Ordering Information

2803A-PT6 1XX - 03 - XX

Digit 3:

3 : (P) ECL interface with clock

4 : (P) ECL interface without clock recovery

Digit 4: Package

3 : 20-Pin DIP package with pigtail Ref N

4 : 20-Pin DIP package receptacle Ref O

Digit 7, 8 Connector Type

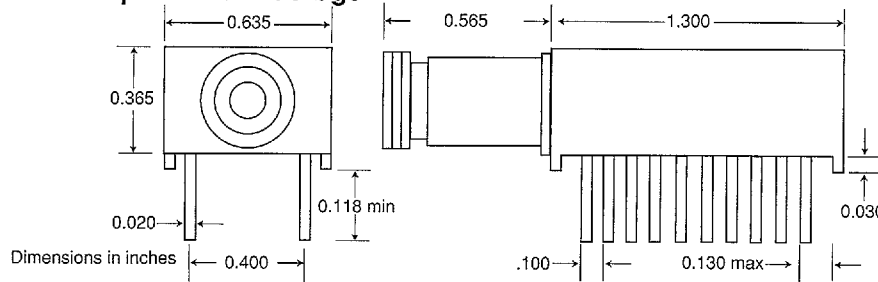
(blank) : No Connector

FC : FC Connector

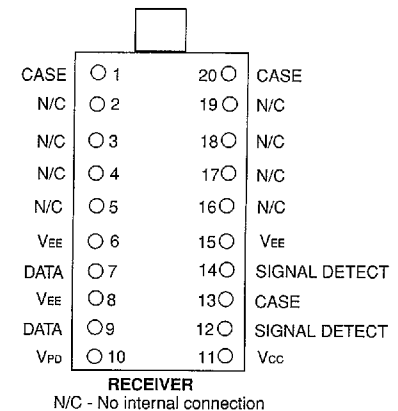
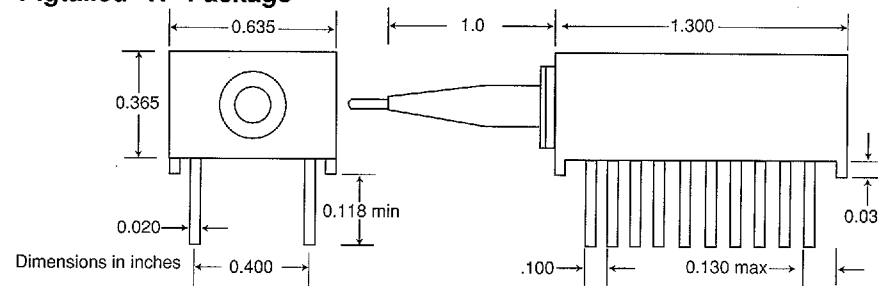
ST : ST Connector

SC : SC Connector

FC Receptacle "O" Package



Pigtailed "N" Package



Information contained herein is deemed to be reliable and accurate as of issue date. No responsibility is assumed for its use, nor for any infringements on the rights of others. Ortel Corporation reserves the right to change the design or specifications of the product at any time without notice. Ortel Corporation offers the products described herein with a one year warranty on material and workmanship. Ortel Corporation will repair or replace any product or part thereof which proves defective within one year of shipment. For a complete copy of our warranty policy, please contact Ortel Corporation.

Corporate Headquarters

Ortel Corporation
 2015 West Chestnut Street
 Alhambra, California USA 91803
 (800) 362-3891 (626) 281-3636
 Fax (626) 281-8231
 email: mtkge-a@ortel.com
 website: http://www.ortel.com



Subsidiaries

Germany
 Ortel VERTRIEBS GmbH
 49-89-3790-720
 Fax 49-89-3790-7249
France, Belgium & The Netherlands
 Ortel SARL
 33-1-69 32 11 27
 Fax 33-1-69 32 11 37

Spain, Portugal & Southern France
 Ortel SARL
 33-4-67 32 91 16
 Fax 33-4-67 32 91 30